

USER MANUAL

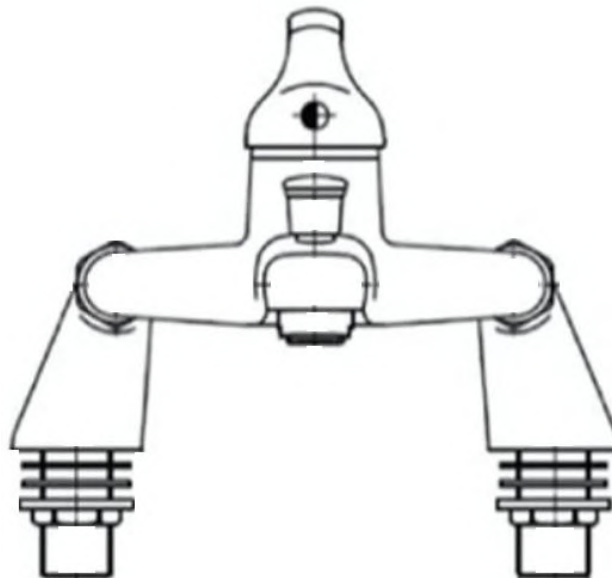


Thank you for choosing Better Bathrooms.
Please read this manual before installing your product
and keep for future reference.

better 
bathrooms

Product name – Alfa Pillar Mounted Bath Mixer

Product code - BeBa_26694, BeBa_26695



- **Single-person assembly**
- **We always recommend using professional tradespeople to install your product**

V1_26.10.2020

Congratulations on your purchase

And welcome to our growing gang of savvy shoppers

We're on a mission to bring you extraordinary bathroom products, for less. From modern to traditional style ceramics, plus the gorgeous fixtures, fittings and furniture to match. So, you can fall in love with your space every single day.

As one of the UK's largest independent bathroom stores, we've received countless awards; including the National Business Awards UK, the Digital Entrepreneur Awards and being placed on The Sunday Times Fast Track 100.

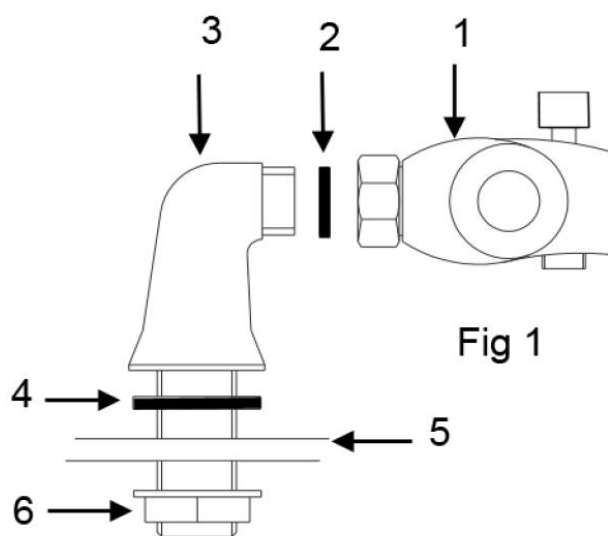
We hope your new product exceeds your highest expectations. However, if you experience any problems, please:

- call our friendly UK call centre on **03303903062** (9am-7pm Monday to Friday, or 10am-4pm Saturday and Sunday), or
- send us a message via **customerservices@buyitdirect.co.uk**

Important information

- Please read these instructions thoroughly and retain for future reference
- All Installation work must be carried out to comply with Water Regulations
- Minimum 0.5 bar to Max 3 bar
- Always flush the system prior to installation
- Pressure must be balanced
- Pillars/legs are handed, therefore must be connected to correct inlet
- Holes on the bath should be approx. 180mm centre to centre to match the threaded tails on the pillars/legs

Parts / Diagrams



1. Mixer
2. Mixer/Pillar washer
3. Pillar/Leg (Note these are handed)
4. Pillar back nut washer
5. Bath cross section (not a part)
6. Back nut x 2

Above is for both Bath filler and bath shower mixer.

Additional parts for bath shower mixer

1. Shower hose inc x 2 seals
2. Shower handset
3. Handset wall bracket
4. Wall screw
5. Wall plug

Tools required

- Spanner
- Protective cloth

For Bath Shower Mixer

- Screw Driver

Installation

Prior to installation ensure that the system has been fully flushed to remove any debris which could damage the cartridge.

Hot water supply must be connected to left hand inlet of mixer.

Turn off water supply.

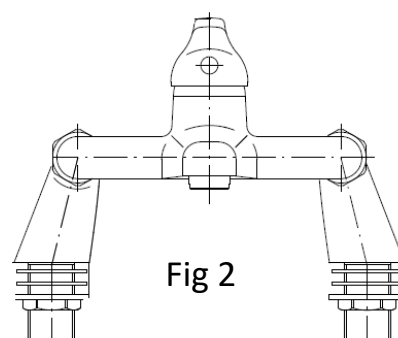
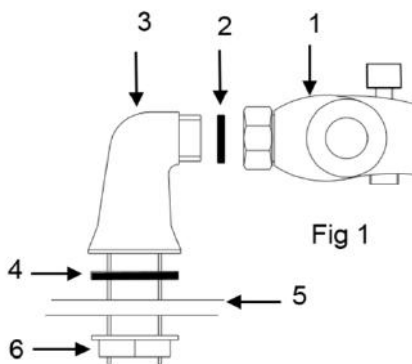
- > Place washer (2) into mixer nut (1) on both sides of the mixer.
- > Connect legs (3) to mixer, ensuring the correct leg is connected to the correct side of the mixer (see FIG 2), legs should angle outwards from the mixer, to connect to the holes in the bath at 180mm centres
- > Place rubber washer (4) onto threaded tail of leg
- > Place mixer onto bath (5) and push tails through the holes.
- > From underneath the bath, connect the nut (6) to the threaded tail and tighten.
- > Tighten all connections.
- > Connect water supply pipes to mixer threaded tails.
- > Turn on water supply and check for leaks.

When installing the bath shower mixer and wall bracket, check before drilling that no pipes or cables can be damaged

- Position the bracket in the required location, ensuring the hose can hang and is not under tension
- Mark the position of the drill hole
- Drill the wall, if drilling into tile, it is recommended to tape the area to prevent the drill from slipping
- Once drill, fit a suitable wall plug
- Place the bracket over the hole and secure using the screw
- Ensure that the opening in the wall bracket for the handset is located so that the wide opening for the hose cone is located at the top

Note:

When tightening any connections, always place a cloth around the nut to prevent marks from the spanner.



Operation *(if applicable)*

Turn on the water

- Lift the lever to allow water to flow from the mixer

Turn off the water

- Push the lever fully down to stop the flow of water

Control temperature

- Lift the lever to allow water to flow, turn to right for colder water, turn to left for hotter water

Bath Shower Mixer Only

Change Function

- Lift lever to allow water to flow, when initially turned on the water will flow from the spout, if you require water to come from the handset, lift the diverter handle fully upwards, until the water pressure holds the diverter in position and water will flow from the handset, always ensure the handset is directed into the bath.

Troubleshooting

Tap dripping

If the tap drips for a period of time then stops, this is normal as the water within the products is emptying

If the product does not stop dripping you will require a replacement cartridge

Tap running from both handset and spout at the same time

Insufficient water pressure, to hold the diverter in position, water pressure needs to be increased

If sufficient pressure is available in the system, you will require a replacement diverter mechanism

Water temperature not mixing

Water pressure not balanced, one of the water pressures is too high for the other and does not allow water to mix within the body of the tap, pressures should be balanced by either reducing the higher pressure or increasing the lower pressure, but maintaining the minimum pressure requirement.

Maintenance

To replace the cartridge, turn off the water supply to the mixer.

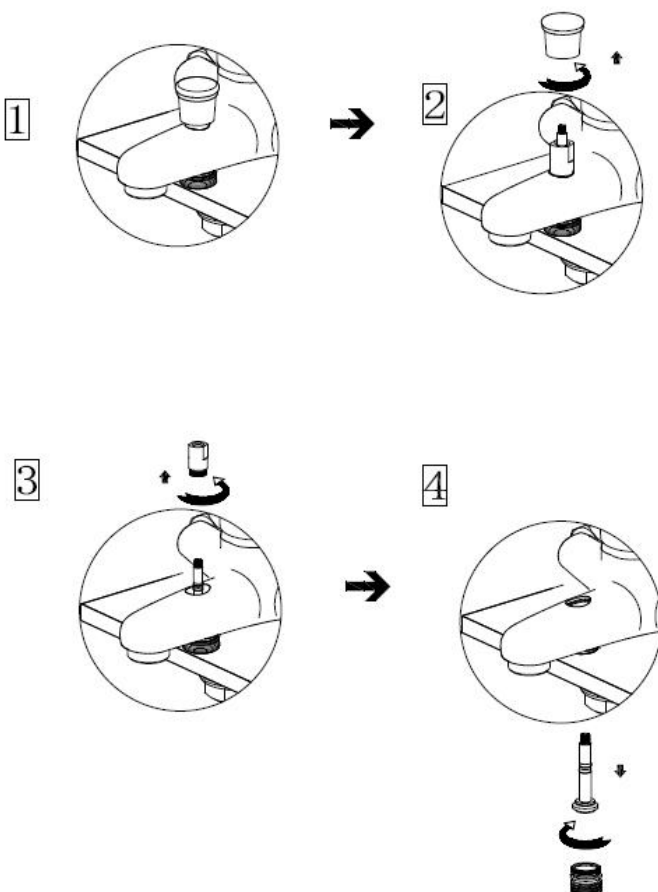
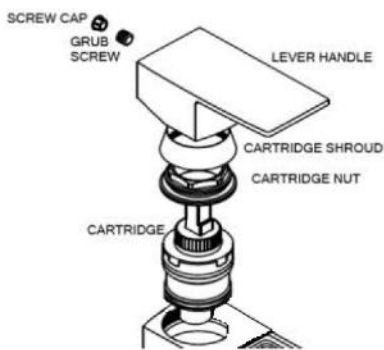
Remove the screw cap at the front of the handle using a sharp knife, taking care not to scratch the surface (on some models they may be at the rear)

Using an allen key, loosen the screw inside the handle and pull off the lever handle .

Remove the cartridge shroud, retaining nut with a spanner, taking care not to disturb the pipes.

Pull out the cartridge from the mixer body, sometime this may require grips.

When replacing the cartridge, ensure the locating pins on the bottom of the cartridge align with the two small holes inside the mixer chamber.



To replace the diverter, it is recommended to turn off the water supply.

Unscrew the hose from the mixer and keep the washer safe.

Place long nose pliers inside the hose outlet on the underside of the spout and hold the internal section firmly.

Whilst holding this, unscrew the diverter handle.

Unscrew the spindle retaining nut.

Remove the hose outlet in the underside of the spout, using an allen key.

Once the handle and outlet have been removed, push the diverter mechanism out through the bottom of the spout.

Cleaning

To maintain the surface of your product, wipe with a clean damp cloth and wipe dry, do not use any abrasive cleaning agents or materials. If any harsh chemicals come into contact with the surface of the product, rinse and wipe clean immediately.

For more information

- visit betterbathrooms.com
- email customerservices@buyitdirect.co.uk
- call 03303903062
- write to Trident Business Park, Neptune Way, Huddersfield, HD2 1UA

better 
bathrooms

Part of the BuyItDirect Group